



**John  
BOOS**  
Since 1887

ITEM #: \_\_\_\_\_ QTY: \_\_\_\_\_

MODEL #: \_\_\_\_\_

PROJECT NAME: \_\_\_\_\_

040819

3601 S. Banker St. Effingham, IL 62401 • P.O. BOX 609 • Ph: (888) 431-2667 • Fax: (800) 433-2667

## **"PRTC-C" OVAL SHAPED POT RACKS - STAINLESS STEEL**

### **CEILING MOUNT & STAINLESS STEEL HOOKS**

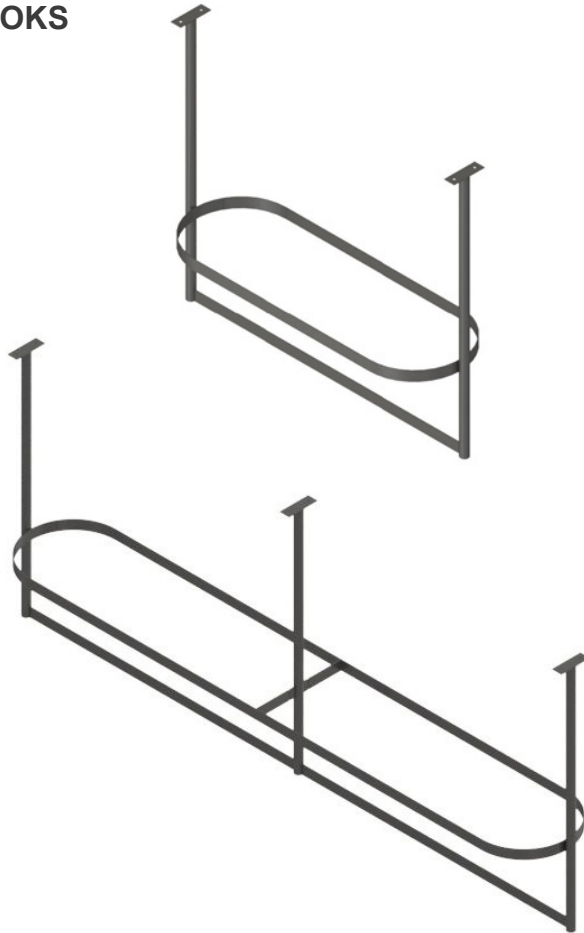


#### **FEATURES:**

- TYPE 300 STAINLESS STEEL
- ALL RACKS PROVIDED W/ TYPE 300 STAINLESS STEEL HOOKS (SEE CHART FOR QUANTITY PER SIZE)
- WELDED SETUP
- STANDARD CEILING MOUNT
- RECOMMENDED CEILING HEIGHT 10'
- NSF AND CSA CERTIFIED

#### **MATERIAL:**

- MADE OF 3/16" X 2" STAINLESS STEEL FLAT BAR
- UPRIGHTS: 1-5/8" OD ROUND TUBE, 16GA TYPE 300 STAINLESS STEEL

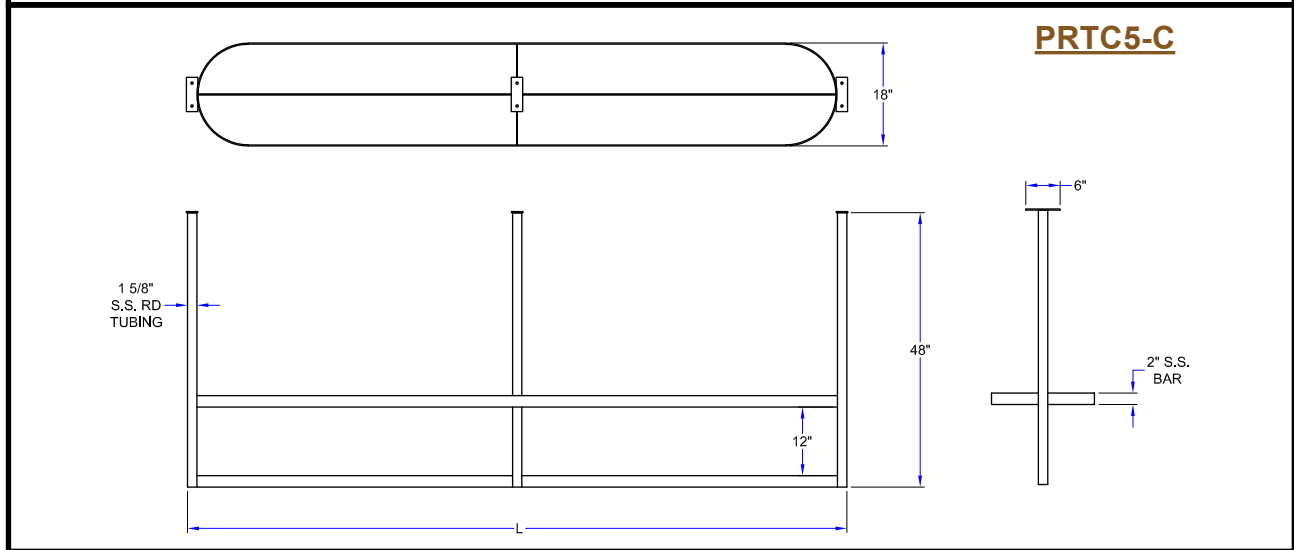
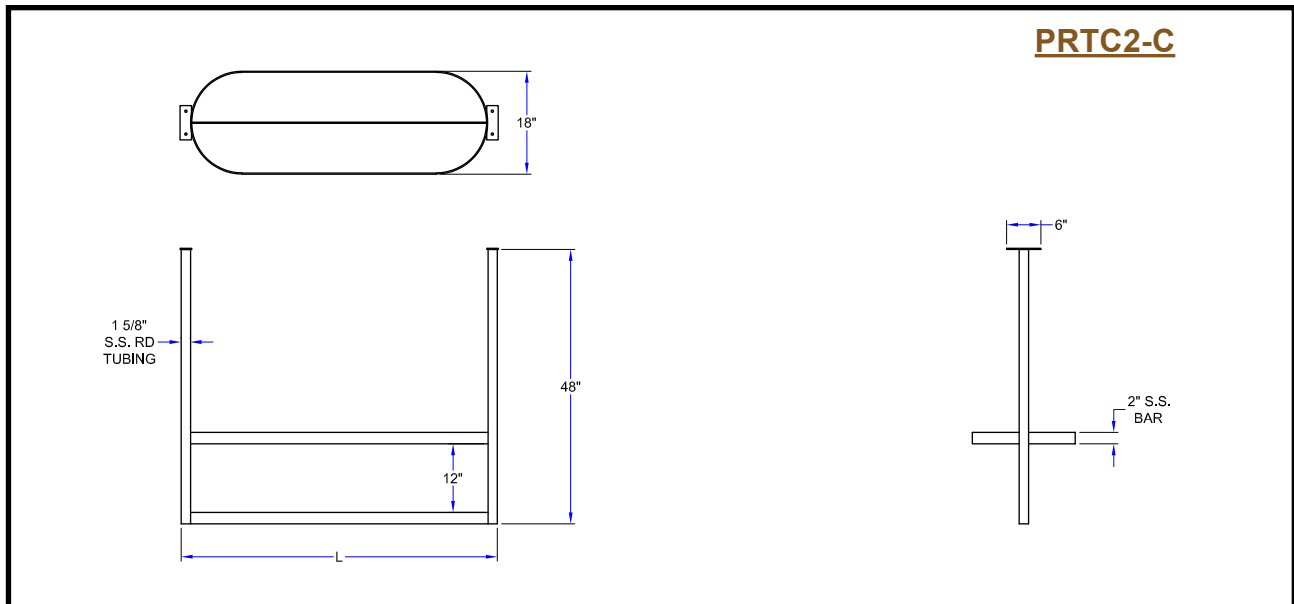


### **OVAL SHAPED POT RACKS - STAINLESS STEEL**

TABLE LENGTH	L	MODEL #	QTY
36"	31-1/4"	PRTC1A-C	
48"	43-1/4"	PRTC1-C	
60"	55-1/4"	PRTC2-C	
72"	67-1/4"	PRTC3-C	
84"	79-1/4"	PRTC3A-C *	
96"	91-1/4"	PRTC4-C *	
108"	103-1/4"	PRTC4A-C *	
120"	115-1/4"	PRTC5-C *	
132"	127-1/4"	PRTC6-C *	
144"	139-1/4"	PRTC7-C *	

\* Furnished w/ 3 legs

## DETAILED SPECIFICATIONS



### OVAL SHAPED POT RACKS - STAINLESS STEEL

TABLE LENGTH	L	MODEL #	HOOKS	WEIGHT (LBS)
36"	31-1/4"	PRTC1A-C	9	20
48"	43-1/4"	PRTC1-C	12	26
60"	55-1/4"	PRTC2-C	15	33
72"	67-1/4"	PRTC3-C	18	40
84"	79-1/4"	PRTC3A-C *	21	46
96"	91-1/4"	PRTC4-C *	24	52
108"	103-1/4"	PRTC4A-C *	27	59
120"	115-1/4"	PRTC5-C *	30	65
132"	127-1/4"	PRTC6-C *	33	72
144"	139-1/4"	PRTC7-C *	36	79

\* Furnished w/ 3 legs

SOME UNITS SHIP UNASSEMBLED FOR REDUCED SHIPPING COST. ALL DIMENSIONS ARE TYPICAL. TOLERANCE +/- .500"

John Boos & Co. is constantly engaged in a program of improving products and therefore reserves the right to change specifications without prior notice.

